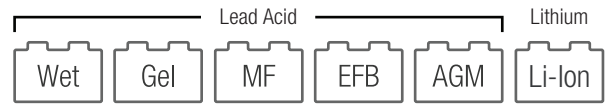


GENIUS2 6V & 12V 2A



Auto | Marine | RV | Powersport | Lawn & Garden

NOCO genius² BATTERY CHARGERTM + MAINTAINER Equipment Land.



EVERYTHING CHARGER.

Do more with Genius. Multi-voltage, chemistries, and types.

Meet the GENIUS2 - Similar to our G1100, just better. It's 30% smaller and delivers over 140% more power. And it's simpler and easier to use than ever before. Plug-in, connect to the battery, select a charge mode, and start charging your battery. A fully-automatic, worry-free battery charger for year-round use. Designed for 6-volt and 12-volt lead-acid automotive, marine, and deep-cycle batteries, including flooded, gel, AGM, maintenance-free, and lithium-ion batteries.



CHARGE DOWN TO ZERO VOLTS.

Charge dead batteries as low as 1-volt. Or use the all-new Force Mode that allows you to take control and manually begin charging dead batteries down to zero volts.



BRING BATTERIES BACK TO LIFE.

Built-in desulfation mode for the most corroded batteries. Auto detection with smart diagnostic indicators starts a Repair Mode integrated within a 9-step charging profile.



THERMAL COMPENSATION.

An integrated thermal sensor detects the ambient temperature and alters the charge to eliminate over-charging in hot climates and under-charging in cold climates.

24/7

WORRY-FREE CHARGING.

Provides all-season, all-weather charging for a healthy battery. Leave plugged in 24/7 with no worries of overcharging. Automatically returns to its last selected mode.

NOCO
30339 Diamond Parkway, #102
Glenwillow, OH 44139 | USA
1.800.456.6626

no.co

NOCO[®]

WHAT'S IN THE BOX.

NOCO Patented Technology

Patented: visit no.co/patents

56" (142.24cm)

85" (217cm)



Charger +
Interchangeable
Connector

Battery Clamps +
Integrated Eyelets

21"
(55cm)



Mounting Bracket + Strap



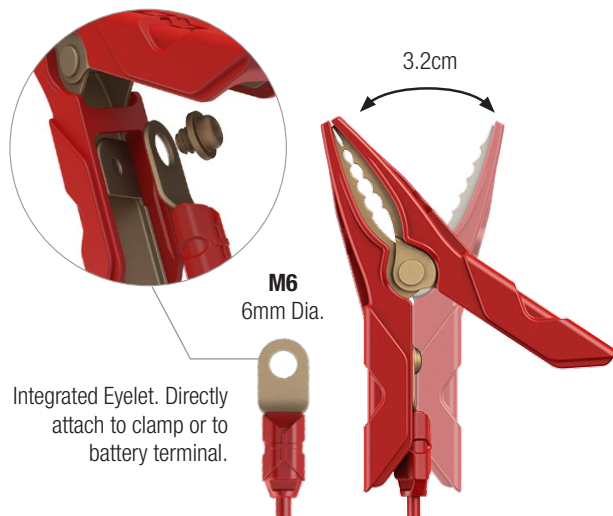
(2) #8x1" Self-tapping
Screws



User Guide

Maximum Versatility.

Genius clamps are built with needle-nose profiles for smaller terminal applications and detachable integrated eyelets for permanently mounting the accessory to the battery.



Technical Specifications

Line Voltage AC:	120-240 VAC, 50-60Hz	DC Cable Length:	77.6 Inches
Output Power:	30 Watts Max	AC Cable Length:	71.7 Inches
Charging Voltage:	Various	Back Current Drain:	<0.5mA
Charging Current:	2A (12V), 2A (6V)	Battery Capacity:	Up to 40Ah, Maintains All Battery Sizes
Chemistry:	Lead-Acid and Lithium	Housing Protection:	IP65
Operating Temperature:	-4° to 104° F (-20° to +40° C)	Dimensions (LxWxH):	3.7 x 2.4 x 1.7 Inches
Storage Temperature:	-22° to 140° F (-30° to +60° C)	Unit Weight:	1.1lbs
Low-Voltage Detection:	1V (12V), 1V (6V)	Cooling:	Natural Convection

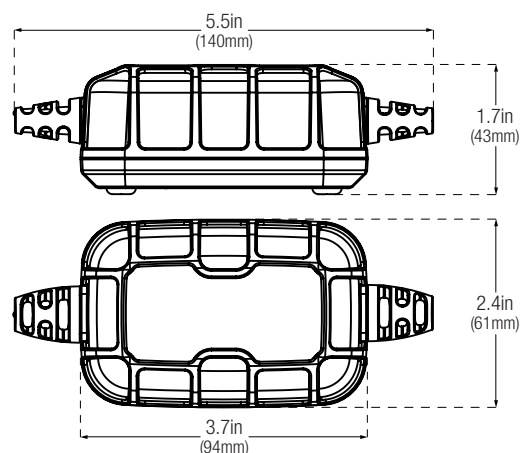
Charging Times

(for reference, results may vary)

Battery Size	Approx. Charge Time in Hours	
	6V	12V
8Ah	3	3
12Ah	4.5	4.5
18Ah	6.75	6.75
24Ah	9	9
40Ah	15	15

WHAT'S IN THE BOX.

- GENIUS2 Battery Charger w/ Interchangeable Connector
- Clamps w/ Integrated Eyelets
- Mounting Bracket w/ Strap
- (2) Self-Tapping Screws
- User Guide & Warranty Information



Retail Packaging:

Dimensions: 3.43" x 4.25" x 6.97"
Weight: 1.23lbs
UPC: 0-46221-19003-8

Master Carton:

Dimensions: 15.12" x 11.81" x 5.20"
Weight: 8.44lbs
Quantity: 6
UCC: 10046221190035

Inner Carton:

Dimensions: 3.70" x 4.49" x 7.20"
Weight: 1.28lbs

Units Per Pallet:

NA - 480 Units
International - 378 Units



NOCO

30339 Diamond Parkway, #102
Glenwillow, OH 44139 | USA
1.800.456.6626

no.co

**Equipment
Land.**

NOCO®