

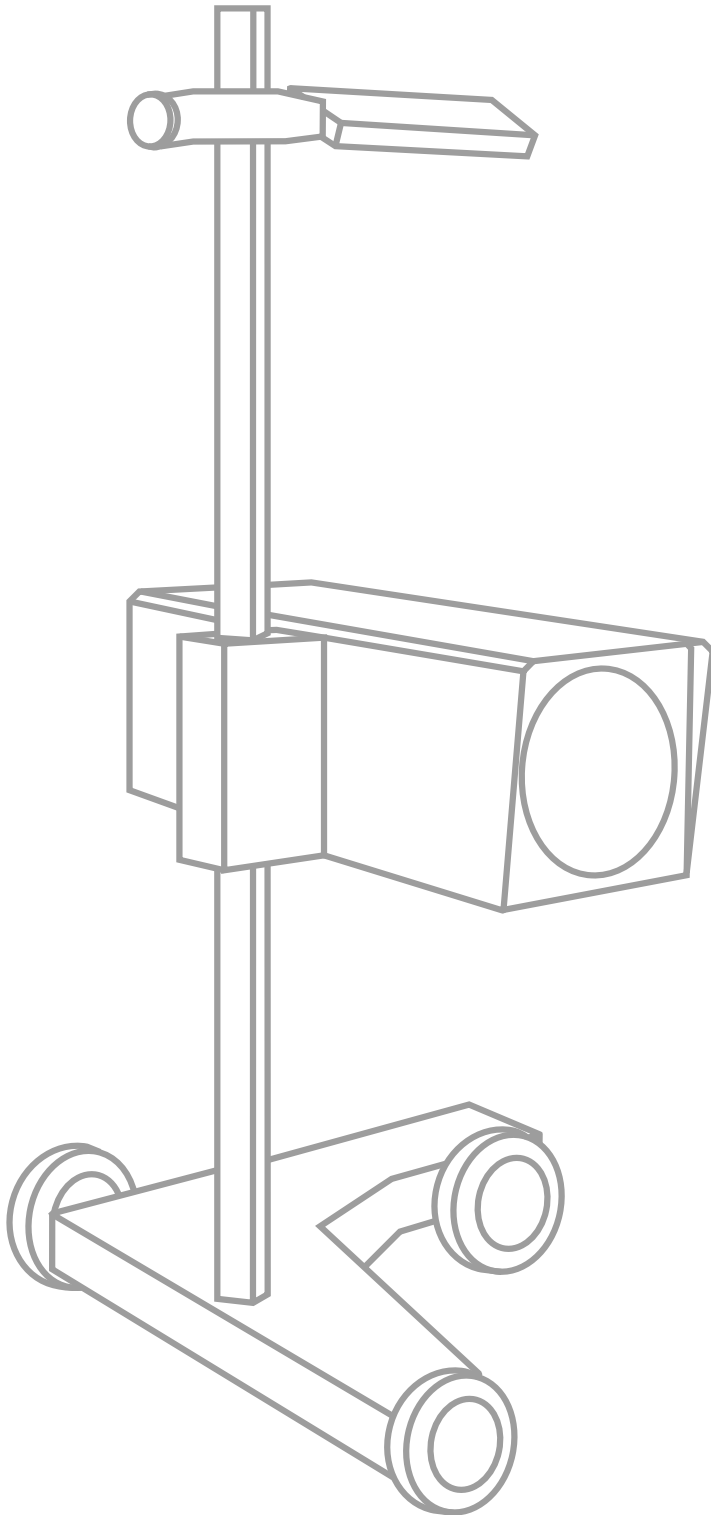


lujan

Model

LJN5417

TÜV approved Nr. TPN100083443



CE

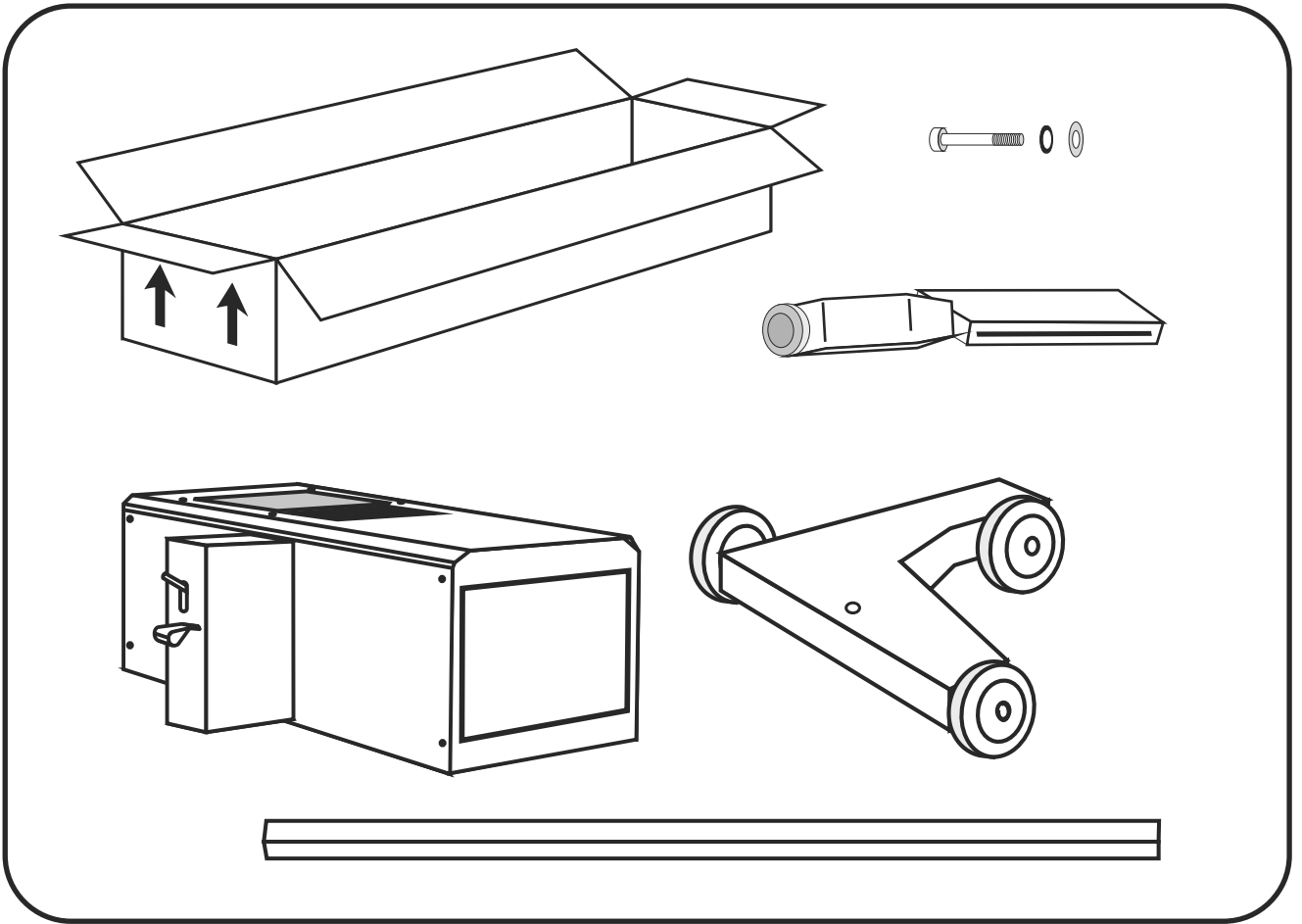


lujan

construcciones electricas LUJAN, S. A.
Alfonso Maseras, s/n
E43713 - SANT JAUME DELS DOMENYS (SPAIN)
e-mail: lujan@lujan.es
www.lujan.es



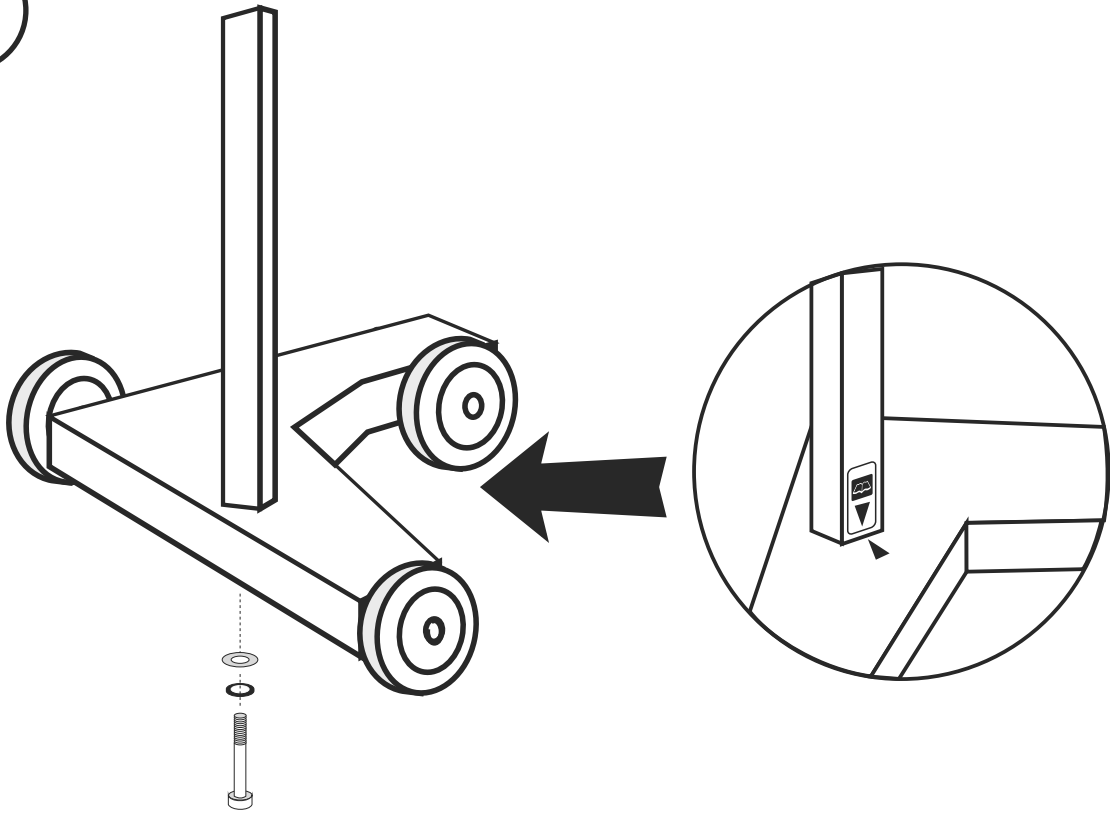
lujan



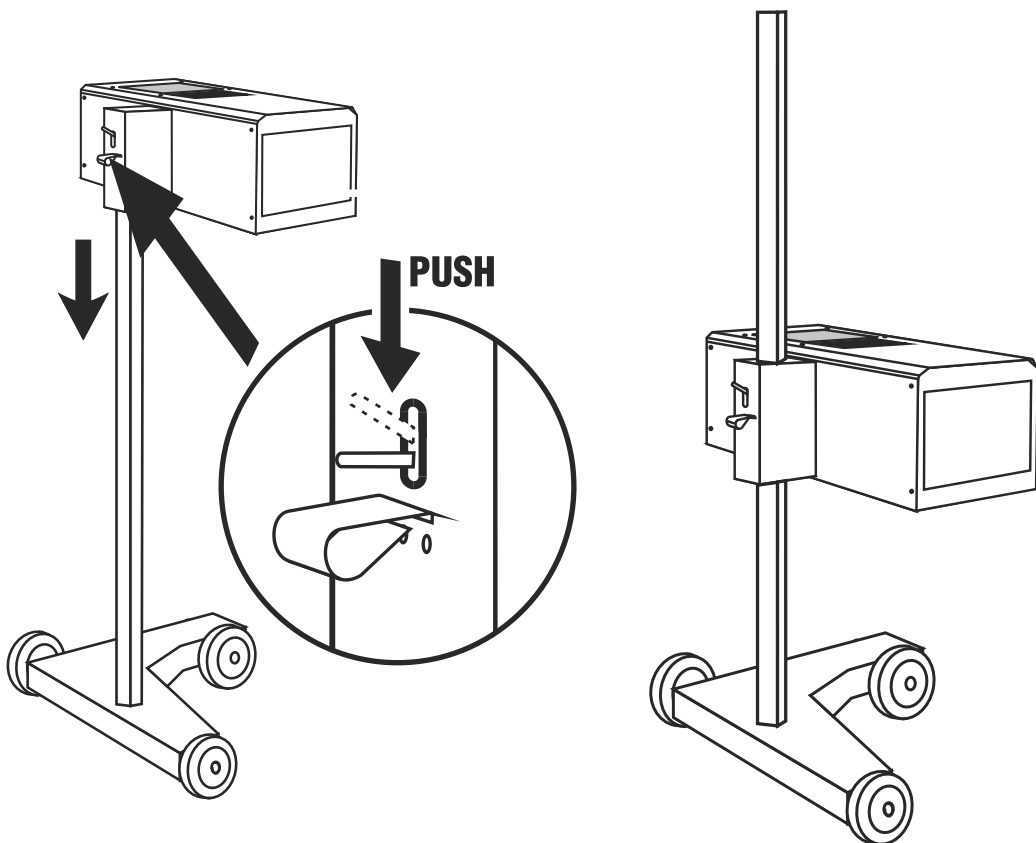


lujan

1



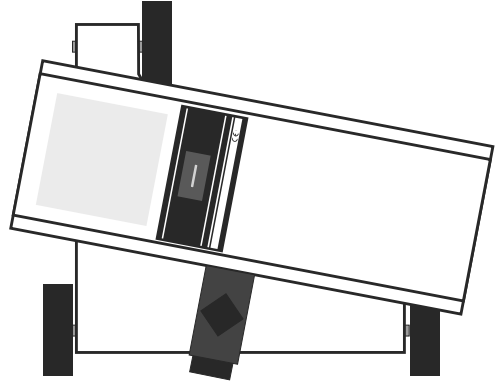
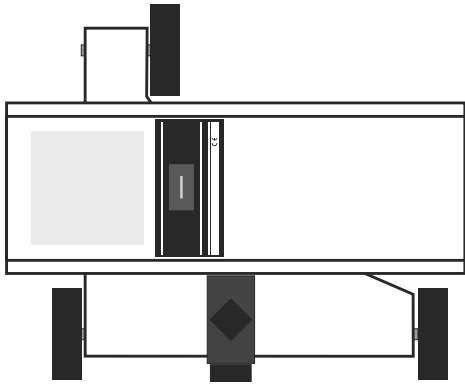
2



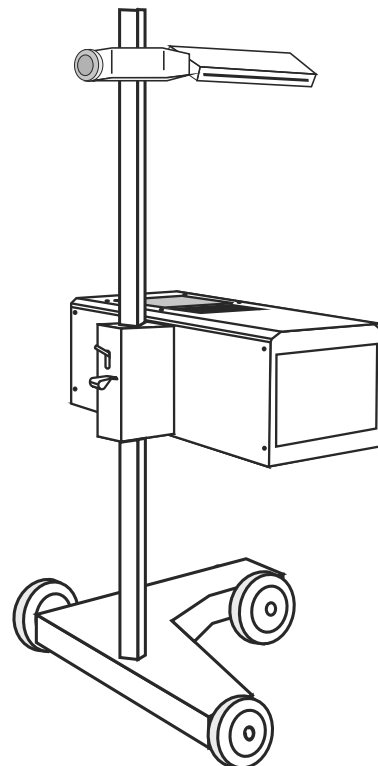
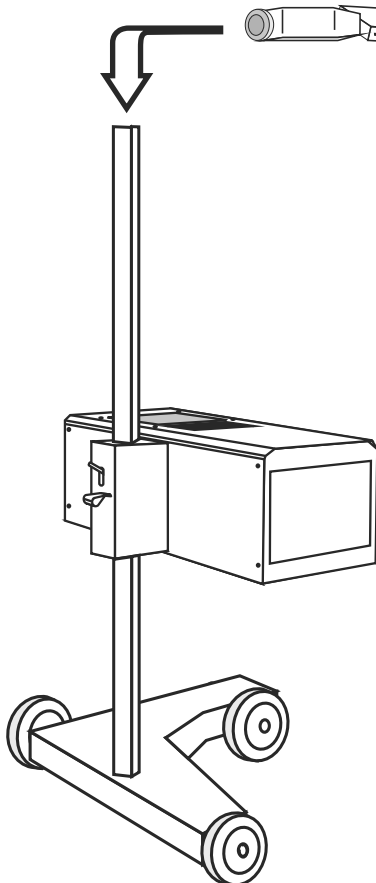


lujan

3

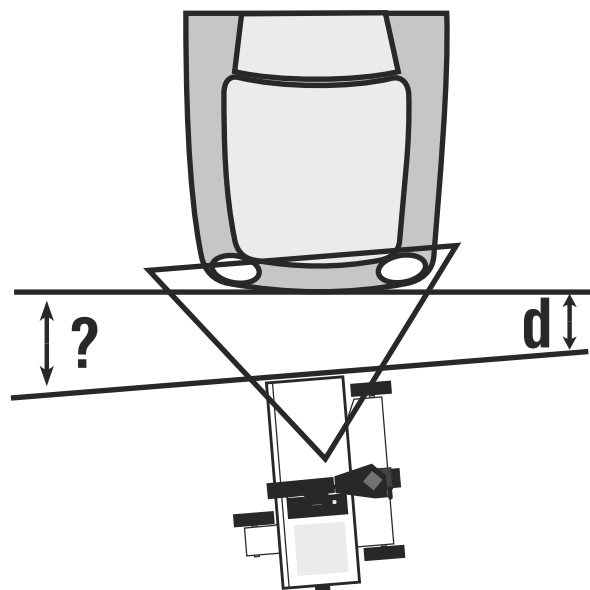
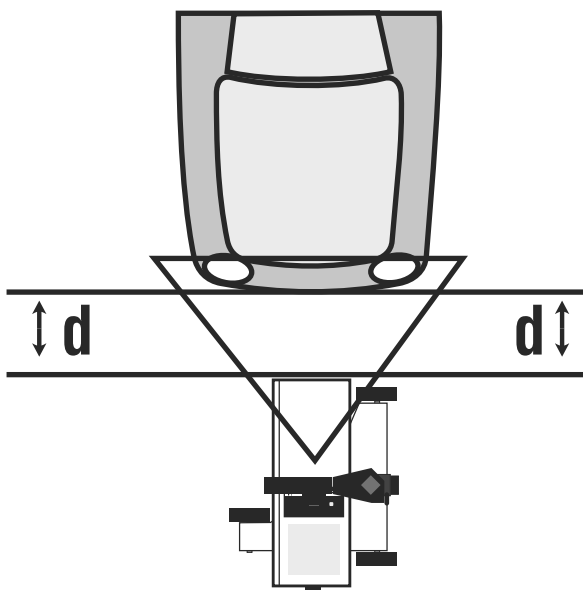
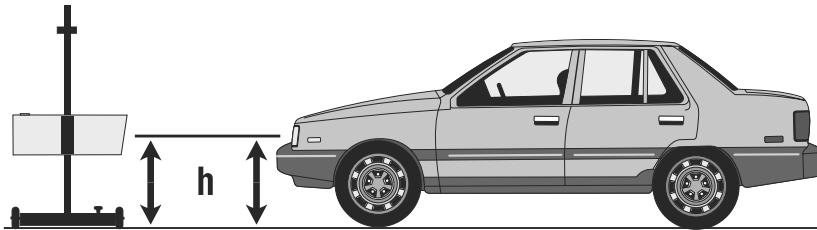
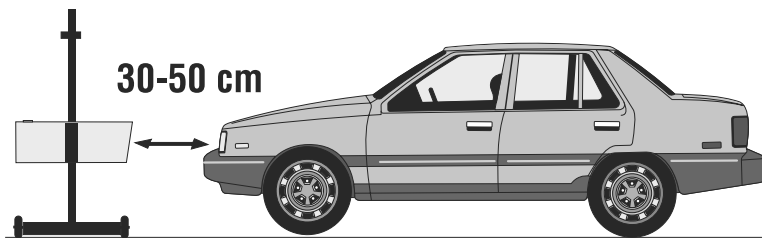
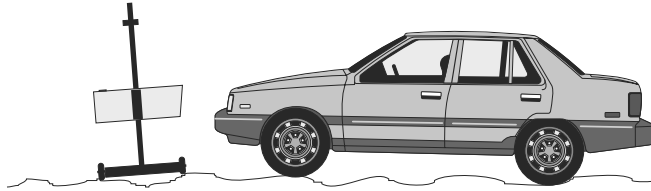
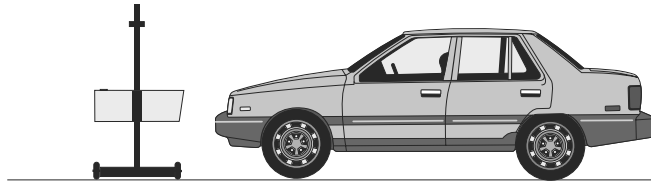


4



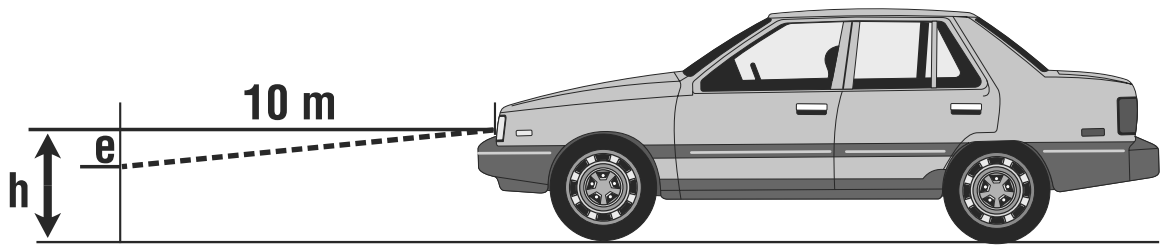


lujan

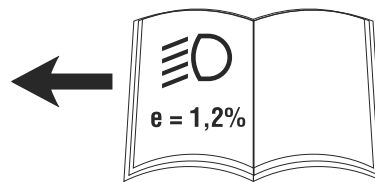
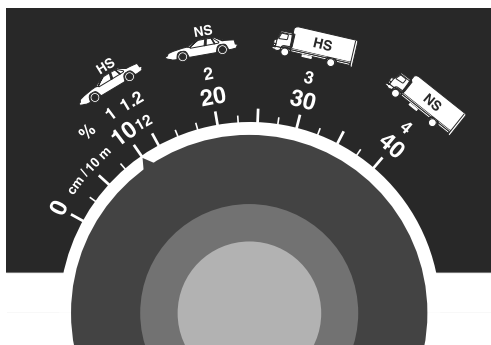
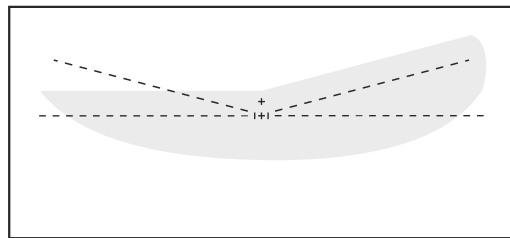
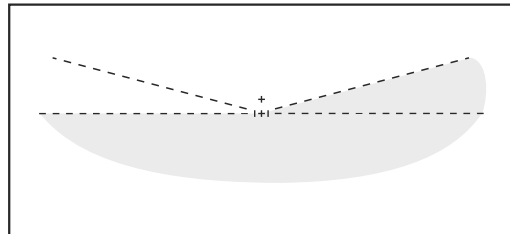
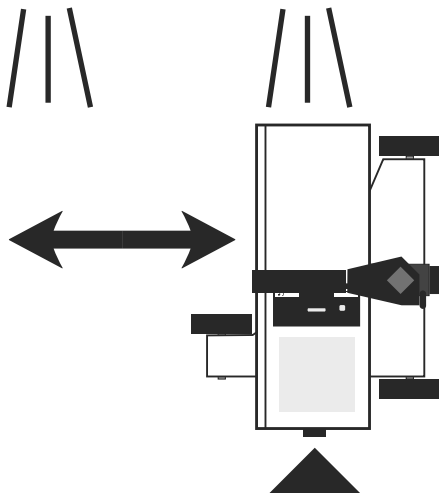
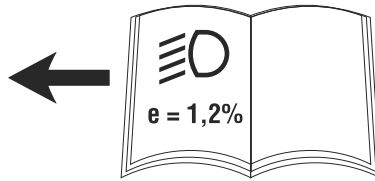
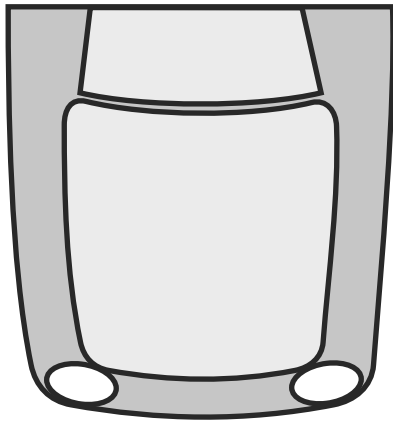




lujan

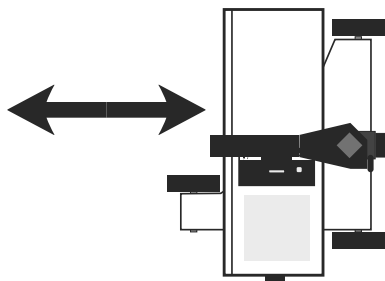
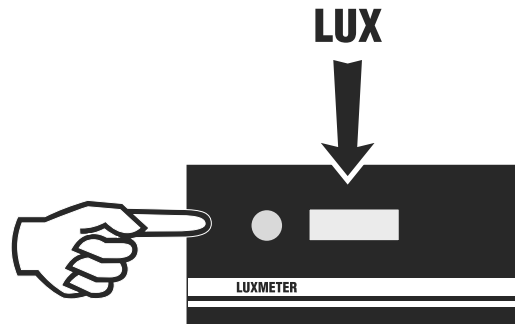
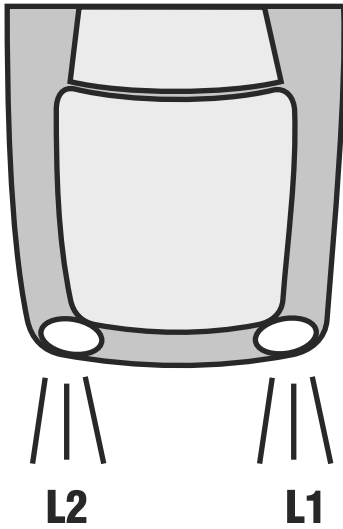




| | | | |
|--|--|--|--|
| $h < 0,8 \text{ m.}$ $e = 10 / 15 \text{ cm}/10\text{m.}$ | $0,8 < h < 1,0 \text{ m.}$ $e = 10 / 15 \text{ cm}/10\text{m.}$ | $h > 0,8 \text{ m.}$ $e = 15 / 20 \text{ cm}/10\text{m.}$ | $h > 1,2 \text{ m.}$ $e = 20 / 25 \text{ cm}/10\text{m.}$ |
|--|--|--|--|



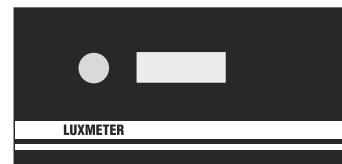
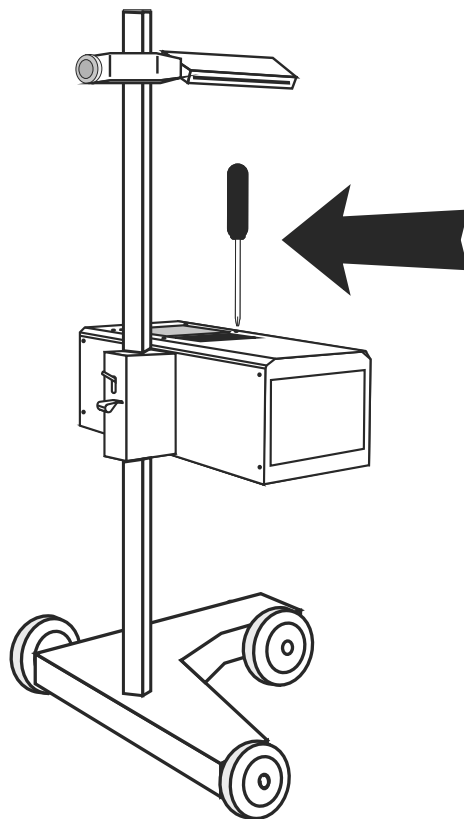


lujan




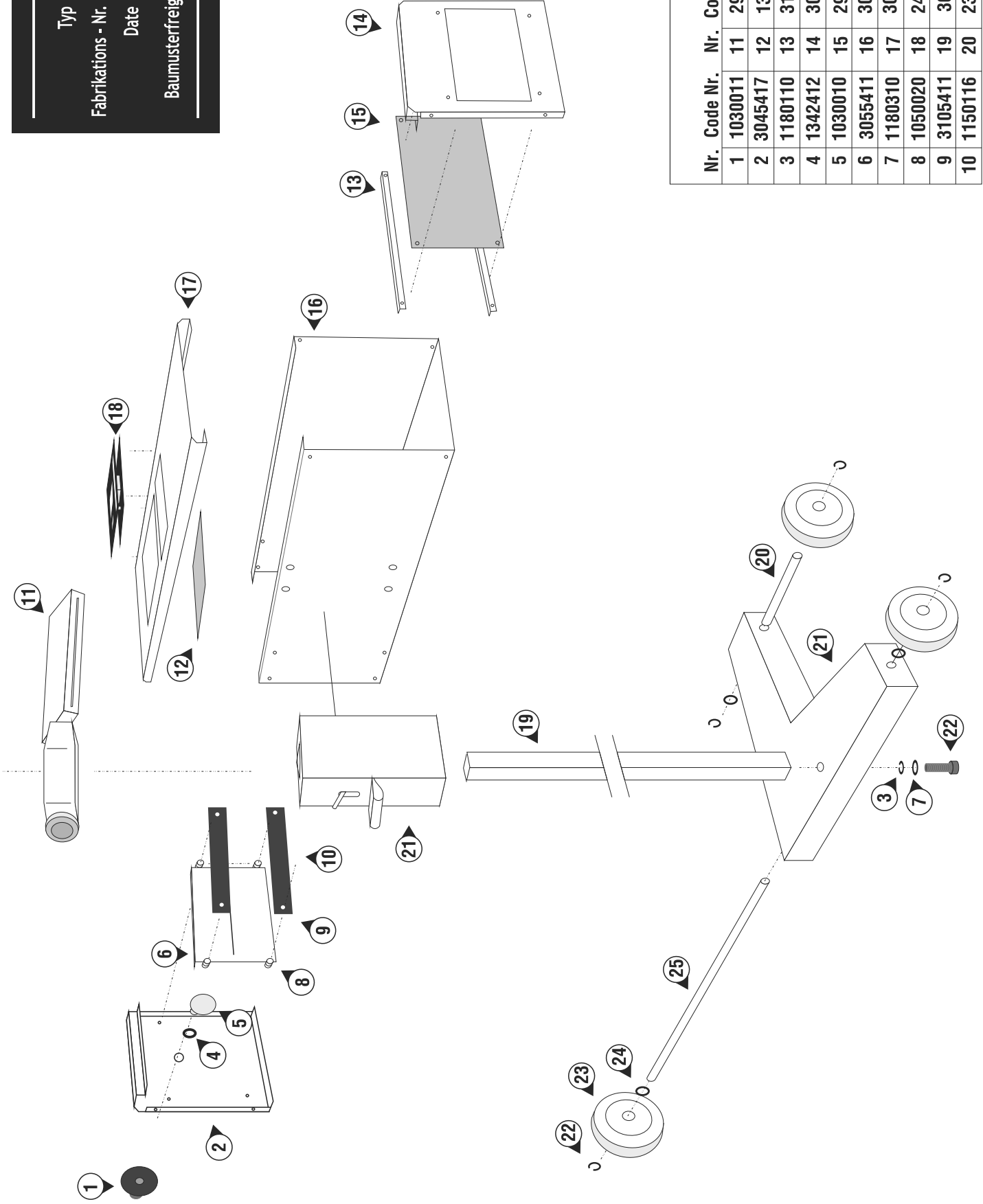
 $L1 = L2 \pm 20\%$
 $L1 = L2 \pm 20\%$

M



9V. 6F22

Typ LJN5417 Hersteller
 Fabrikations - Nr.  Lujan
 Date
 Baumusterfreigabe Nr. TPN100083443



| Nr. | Code Nr. | Nr. | Code Nr. | Nr. | Code Nr. |
|-----|----------|-----|----------|-----|----------|
| 1 | 1030011 | 11 | 2905412 | 21 | 3065404 |
| 2 | 3045417 | 12 | 1392404 | 22 | 1150190 |
| 3 | 1180110 | 13 | 3145407 | 23 | 2750002 |
| 4 | 1342412 | 14 | 3035420 | 24 | 1180114 |
| 5 | 1030010 | 15 | 2905407 | 25 | 2345416 |
| 6 | 3055411 | 16 | 3025417 | | |
| 7 | 1180310 | 17 | 3015417 | | |
| 8 | 1050020 | 18 | 2495400 | | |
| 9 | 3105411 | 19 | 3075411 | | |
| 10 | 1150116 | 20 | 2345426 | | |



lujan

www.lujan.es